



磁立方

SPECIFICATION FOR APPROVAL

CUSTOMER : _____

CUSTOMER P/N : _____

DESCRIPTION : SMD Inductor

Supplier P/N : ACLS0807MN-R82M

REVISION NO. : V1.0

DATE : 2021-Jan-14

NOTES : STANDARD

| Supplier DOCUMENTED | |
|---------------------|----------|
| APPROVED | David |
| CHECKED | Zhao yun |
| PREPARED | You yuan |

| CUSTOMER APPROVAL | |
|-------------------|--|
| | |

© Company seals

| | | | | |
|-------------|--------------|-----------------|---------|--------------|
| Version:1.0 | CUSTOMER P/N | | PRODUCT | SMD Inductor |
| | ITEM P/N | ACLS0807MN-R82M | DATE | 2021-Jan-14 |



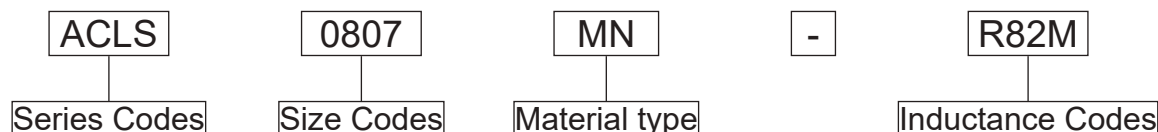
深圳市磁立方科技有限公司
ShenZhen Magnetic Cube Technology Co., LTD.

TEL:0755-23018051 E-FAX:0755-22140304 E-MAIL:Sales@mct8.com HTTP:www.mct8.com
ADD:F2, Building C, Furong Road No.8 , Tantou, Songgang, Baoan District, Shenzhen

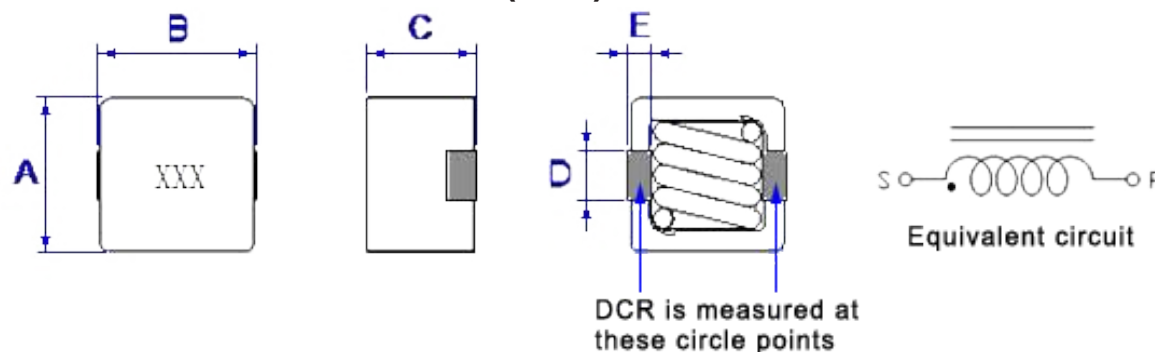


MAIN SPECIFICATION

EXPLANATION OF PART NUMBERS



PRODUCT DIMENSIONS (mm)



| | Dimensions |
|---|------------|
| A | 7.9±0.4 |
| B | 8.4±0.4 |
| C | 7.2±0.4 |
| D | 2.3±0.2 |
| E | 1.5±0.2 |

ELECTRICAL CHARACTERISTICS

| ITEM P/N | @ 25 ± 5°C Ambient Temperature | | | DCR mΩ @ 25°C Typica | DCR mΩ @ 25°C Max |
|-----------------|--------------------------------|---|---|----------------------------|-------------------------|
| | INDUCTANCE 100KHz, 0.1V | Typical Heat Rating DC Current (A) (I _{dc}) | Typical Saturation DC Current (A) (I _{sat}) | | |
| | Lo (μH) | | | | |
| ACLS0807MN-R82M | 0.82±20% | 17.0 | 23.0 | 3.6 | 3.9 |

- ⊙ All test Data is referenced to 25°C ambient.
- ⊙ Typical Heat Rating DC Current would cause an approximately Δ T of 50°C .
- ⊙ Typical Saturation DC Current would cause Lo to drop approximately 30%.
- ⊙ The Part temperature (ambient + Δ T) should not exceed 125°C under worst case operating conditions.
- ⊙ Circuit design, component placement, PWB trace size and thickness, airflow and other cooling provisions all effect the part temperature. Part temperature should be verified in the end application.

| Version:1.0 | CUSTOMER P/N | PRODUCT | SMD Inductor |
|-------------|--------------|-----------------|--------------|
| | ITEM P/N | ACLS0807MN-R82M | DATE |



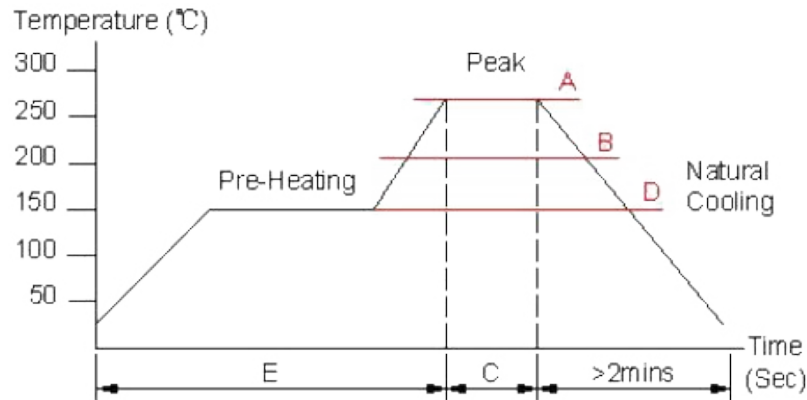
深圳市磁立方科技有限公司
 ShenZhen Magnetic Cube Technology Co., LTD.

TEL:0755-23018051 E-FAX:0755-22140304 E-MAIL:Sales@mct8.com HTTP:www.mct8.com
 ADD:F2, Building C, Furong Road No.8 , Tantou, Songgang, Baoan District, Shenzhen



CHARACTERISTICS

RECOMMENDED SOLDERING TEMP. GRAPH



| A | B | C | D | E |
|-------|-------|-------|-------|-----------|
| 260°C | 230°C | 10Sec | 150°C | 60~240Sec |

MECHANICAL RELIABILITY

| TEST | Specification & Requirement | Method Used |
|---------------|--|--|
| Solderability | The surface of terminal/pin tested shall be covered with new solder by 95% | Solder heat proof. |
| | | Preheating:180 ±10°C 90 seconds |
| | | Soldering:255 ±5°C for 3 ±1 sec |
| Shock | Inductance change within ± 5% Without mechanical damage | Drop down with 981m/s2 (100G) shock |
| | | Attitude upon a rubber block method shock testing machinem, 3 tests. |
| Vibration | Inductance change within ± 5% Without mechanical damage | Vibration frequency:10Hz to 55Hz to 10Hz, 60 seconds cycle. |
| | | Vibration time: 2 hours |

ENDURANCE RELIABILITY

| TEST | Specification & Requirement | Method Used |
|---------------------|---|--|
| Thermal Shock | Inductance change within ± 5% Without mechanical damage | -25°C ,(30 mins) -> room temp. (5 mins) ->125°C , (30 mins) -> room temp. (5 mins)100 cycles |
| Heat Resistance | Inductance change within ± 5% Without mechanical damage | Apply IDC current @ 85°C ambient Duration: 1000 hrs |
| Humidity Resistance | Inductance change within ± 5% Without mechanical damage | Apply IDC current @ 60°C ambient Humidity: 90~95% Duration: 1000 hrs |
| Low Temp. Storing | Inductance change within ± 5% Without mechanical damage | Storing Temp -25 ±2 °C for total 1,000 +4/-0 hours |
| High Temp. Storing | Inductance change within ± 5% Without mechanical damage | Storing Temp 125±2 °C for total 1,000 +4/-0 hours |

| | | | | |
|-------------|--------------|-----------------|---------|--------------|
| Version:1.0 | CUSTOMER P/N | | PRODUCT | SMD Inductor |
| | ITEM P/N | ACLS0807MN-R82M | DATE | 2021-Jan-14 |



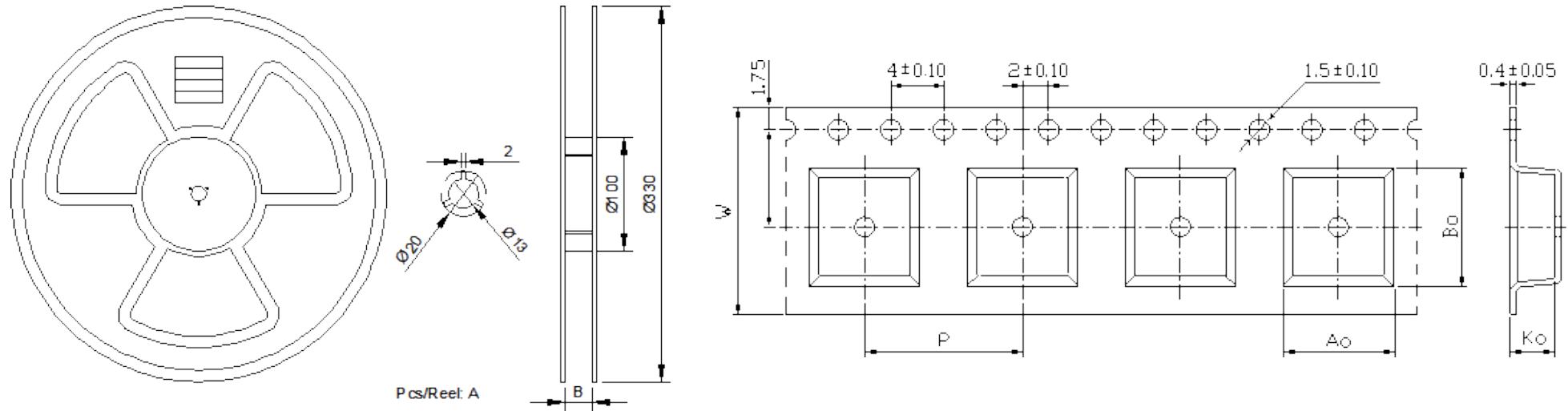
深圳市磁立方科技有限公司
ShenZhen Magnetic Cube Technology Co., LTD.

TEL:0755-23018051 E-FAX:0755-22140304 E-MAIL:Sales@mct8.com HTTP:www.mct8.com
ADD:F2, Building C, Furong Road No.8 , Tantou, Songgang, Baoan District, Shenzhen



PACKING INFORMATION

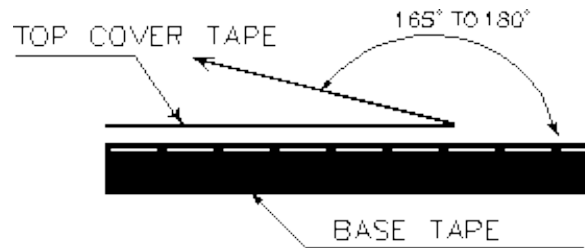
CARRIER TAPEING REEL & CARRIER MATERIALS (PAPER PLASTICS) UNIT: (mm)



| A(Pcs/Reel) | B |
|-------------|----------|
| 500 | 24.5±0.5 |

| W | P | Ao | Bo | Ko |
|----|----|---------|---------|----------|
| 24 | 16 | 8.0±0.1 | 9.0±0.1 | 7.0±0.15 |

Typical Pulling Force: 20 ~ 130 grams:



| Version:1.0 | CUSTOMER P/N | | PRODUCT | SMD Inductor |
|-------------|--------------|-----------------|---------|--------------|
| | ITEM P/N | ACLS0807MN-R82M | | DATE |



深圳市磁立方科技有限公司
ShenZhen Magnetic Cube Technology Co., LTD.

TEL:0755-23018051 E-FAX:0755-22140304 E-MAIL:Sales@mct8.com HTTP:www.mct8.com
ADD:F2, Building C, Furong Road No.8, Tantou, Songgang, Baoan District, Shenzhen

