



磁立方

SPECIFICATION FOR APPROVAL

CUSTOMER : _____

CUSTOMER P/N : _____

DESCRIPTION : Common Mode Line Filter

Supplier P/N : LFET2725W-121P

REVISION NO. : V2.0

DATE : 2021-Dec-02

NOTES : STANDARD

Supplier DOCUMENTED	
APPROVED	David
CHECKED	Zhao yun
PREPARED	You yuan

CUSTOMER APPROVAL	

© Company seals

Version:2.0	CUSTOMER P/N		PRODUCT	Common Mode Line Filter
	ITEM P/N	LFET2725W-121P	DATE	2021-Dec-02



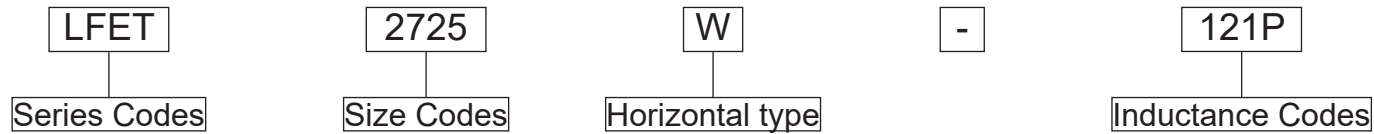
深圳市磁立方科技有限公司
ShenZhen Magnetic Cube Technology Co., LTD.

TEL:0755-23018051 E-FAX:0755-22140304 E-MAIL:Sales@mct8.com HTTP:www.mct8.com
ADD:F2, Building C, Furong Road No.8 , Tantou, Songgang, Baoan District, Shenzhen

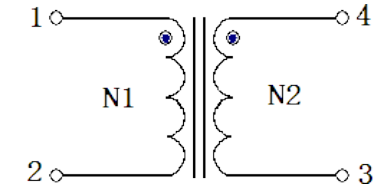


MAIN SPECIFICATION

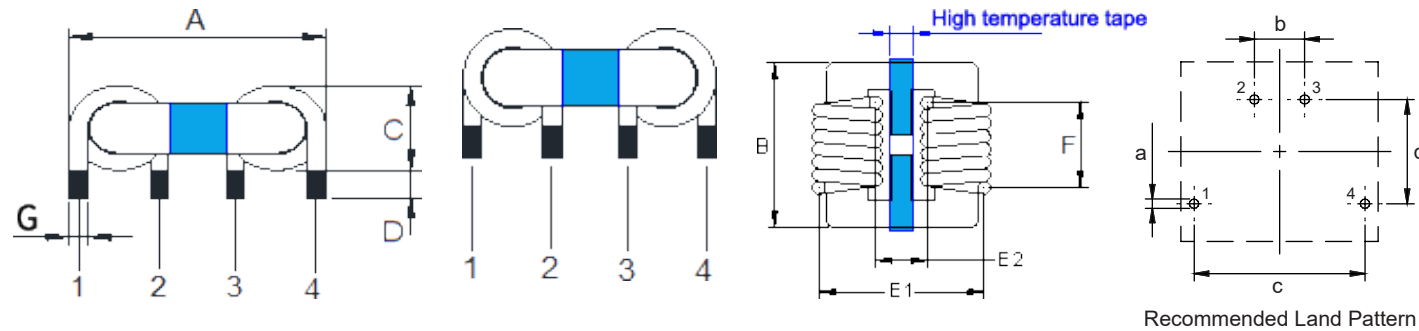
EXPLANATION OF PART NUMBERS



Schematic:



PRODUCT DIMENSIONS (mm)



A	27.5Max	F	14.5±0.5
B	25.0Max	G	∅2.0±0.1
C	11.7Max	a	∅2.3
D	4.5±0.5	b	6.0
E1	24.8±0.5	c	24.8
E2	6.0±0.5	d	14.5

ELECTRICAL CHARACTERISTICS

ITEM P/N	@ 25 ± 5°C Ambient Temperature				DCR @ 25°C R(1-2), R(3-4) (mΩ)
	INDUCTANCE (Test condition: 10KHz, 0.1V)		I _{rms} (1-4) (2-3short circuit) Δ T=60°C	HI-POT(N1-N2) 50Hz/5mA/2sec	
	Lo(1-2)&Lo(4-3) (μH)	Lk(1-2) (3-4short circuit)(μH)			
LFET2725W-121P	120±40%	4.1Typ.	23.5Max	1500V(AC)	1.4Max

- ◎ All test data is referenced to 25°C ambient.
- ◎ I_{rms}: DC current(A) that will cause an approximate Δ T of 40°C .
- ◎ Isat: DC current(A) that will cause Lo to drop approximate 30%.
- ◎ Operating temperature range is -25°C to 125°C .
- ◎ The part temperature(ambient and temp rise) should not exceed 125°C under worse case operating conditions. Circuit design, component placement, PWB trace size and thickness, airflow and other cooling provision all affect the part temperature. Part temperature should be verified in the end application.

Version:2.0	CUSTOMER P/N	PRODUCT	Common Mode Line Filter
	ITEM P/N	DATE	2021-Dec-02



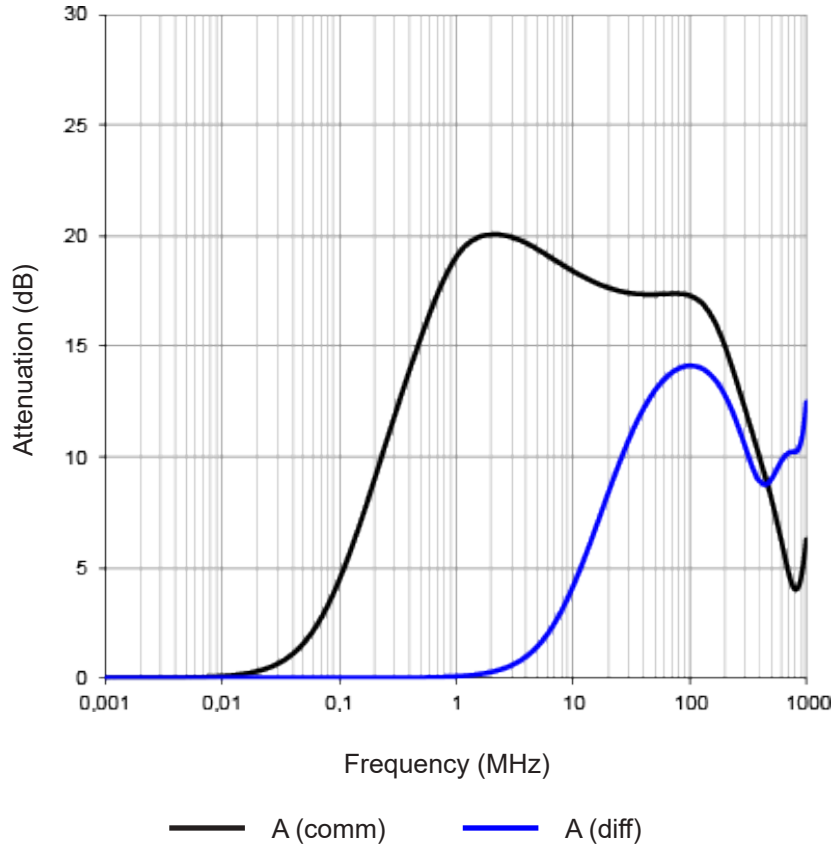
深圳市磁立方科技有限公司
ShenZhen Magnetic Cube Technology Co., LTD.

TEL:0755-23018051 E-FAX:0755-22140304 E-MAIL:Sales@mct8.com HTTP:www.mct8.com
ADD:F2, Building C, Furong Road No.8 , Tantou, Songgang, Baoan District, Shenzhen

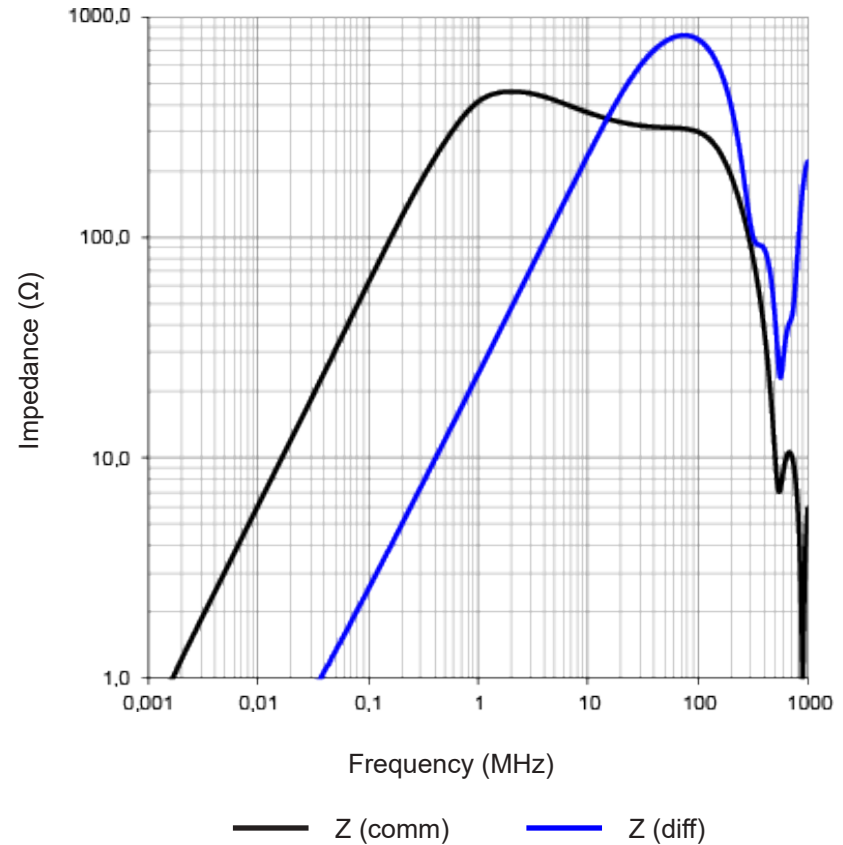


CHARACTERISTICS

Typical Insertion Loss:



Typical Impedance Characteristics:



Version:2.0	CUSTOMER P/N	LFET2725W-121P	PRODUCT	Common Mode Line Filter
	ITEM P/N		DATE	2021-Dec-02



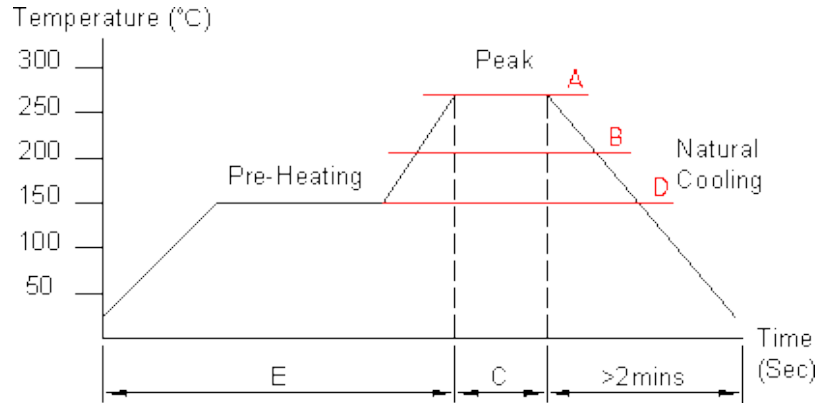
深圳市磁立方科技有限公司
ShenZhen Magnetic Cube Technology Co., LTD.

TEL:0755-23018051 E-FAX:0755-22140304 E-MAIL:Sales@mct8.com HTTP:www.mct8.com
ADD:F2, Building C, Furong Road No.8 , Tantou, Songgang, Baoan District, Shenzhen



CHARACTERISTICS

RECOMMENDED SOLDERING TEMP. GRAPH



A	B	C	D	E
260°C	230°C	8-10Sec	150°C	60~240Sec

MECHANICAL RELIABILITY

TEST	Specification & Requirement	Method Used
Solderability	The surface of terminal/pin tested shall be covered with new solder by 95%	Solder heat proof.
		Preheating: 180 ±10°C 90 seconds
		Soldering: 255 ±5°C for 3 ±1 sec
Shock	Inductance change within ± 5% Without mechanical damage	Drop down with 981m/s ² (100G) shock
		Attitude upon a rubber block method shock testing machinem, 3 tests.
Vibration	Inductance change within ± 5% Without mechanical damage	Vibration frequency: 10Hz to 55Hz to 10Hz, 60 seconds cycle.
		Vibration time: 2 hours

ENDURANCE RELIABILITY

TEST	Specification & Requirement	Method Used
Thermal Shock	Inductance change within ± 5% Without mechanical damage	-25°C ,(30 mins) -> room temp. (5 mins) ->125°C , (30 mins) -> room temp. (5 mins)100 cycles
Heat Resistance	Inductance change within ± 5% Without mechanical damage	Apply IDC current @ 85°C ambient Duration: 1000 hrs
Humidity Resistance	Inductance change within ± 5% Without mechanical damage	Apply IDC current @ 60°C ambient Humidity: 90~95% Duration: 1000 hrs
Low Temp. Storing	Inductance change within ± 5% Without mechanical damage	Storing Temp -25 ±2 °C for total 1,000 +4/-0 hours
High Temp. Storing	Inductance change within ± 5% Without mechanical damage	Storing Temp 125±2 °C for total 1,000 +4/-0 hours

Version:2.0	CUSTOMER P/N	LFET2725W-121P	PRODUCT	Common Mode Line Filter
	ITEM P/N		DATE	2021-Dec-02



深圳市磁立方科技有限公司
ShenZhen Magnetic Cube Technology Co., LTD.

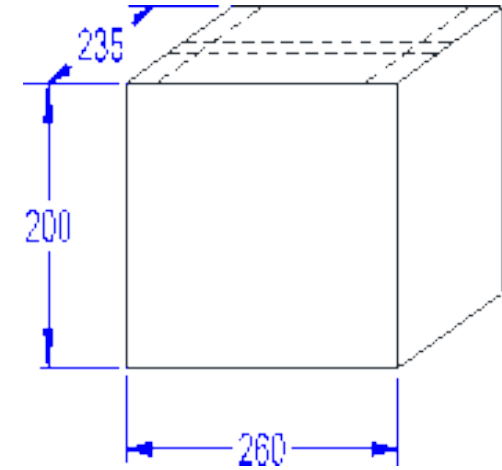
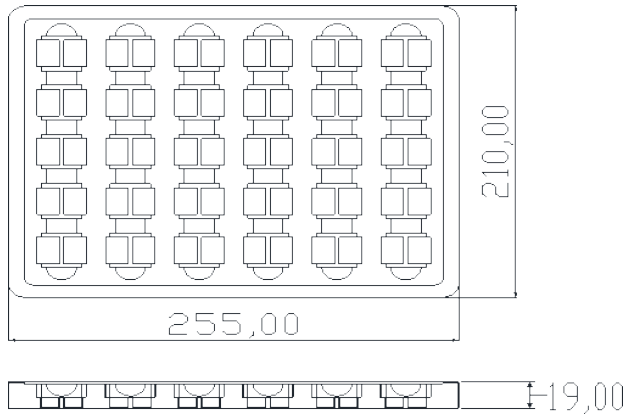
TEL:0755-23018051 E-FAX:0755-22140304 E-MAIL:Sales@mct8.com HTTP:www.mct8.com
ADD:F2, Building C, Furong Road No.8 , Tantou, Songgang, Baoan District, Shenzhen



PACKING INFORMATION

PACKING INFORMATION Unit : (mm)

- I.The product model, name, quantity, production cycle, factory date, manufacturer's logo and QA factory inspection seal are marked on the packaging box.
- II.One bundle per carton, 7 layers per bundle, 30pcs per layer. The number of packages per carton is 210PCS.
- III.The same product with different production cycles shall not be put into the same packing box.



PVC SIZE	QUANTITY
255*210*19mm	30/PVC

OUTBOX SIZE	QUANTITY
260*235*200mm	210PCS/BOX

Version:2.0	CUSTOMER P/N	LFET2725W-121P	PRODUCT	Common Mode Line Filter
	ITEM P/N		DATE	2021-Dec-02



深圳市磁立方科技有限公司
ShenZhen Magnetic Cube Technology Co., LTD.

TEL:0755-23018051 E-FAX:0755-22140304 E-MAIL:Sales@mct8.com HTTP:www.mct8.com
ADD:F2, Building C, Furong Road No.8 , Tantou, Songgang, Baoan District, Shenzhen

