



磁立方

SPECIFICATION FOR APPROVAL

CUSTOMER : _____

CUSTOMER P/N : _____

DESCRIPTION : SMD Inductor

Supplier P/N : SBCM0905-103P

REVISION NO. : V1.0

DATE : 2021-Jan-14

NOTES : STANDARD

Supplier DOCUMENTED	
APPROVED	David
CHECKED	Zhao yun
PREPARED	You yuan

CUSTOMER APPROVAL	

© Company seals

Version:1.0	CUSTOMER P/N		PRODUCT	60' , Q G X F W R U
	ITEM P/N	6 % & 0 3	DATE	- D Q



TEL: 0755-23018051 E-FAX: 0755-22140304 E-MAIL: Sales@mct8.com HTTP: www.mct8.com
 ShenZhen Magnetic Cube Technology Co., LTD. ADD: F2, Building C, Furong Road No.8 , Tantou, Songgang, Baoan District, Shenzhen



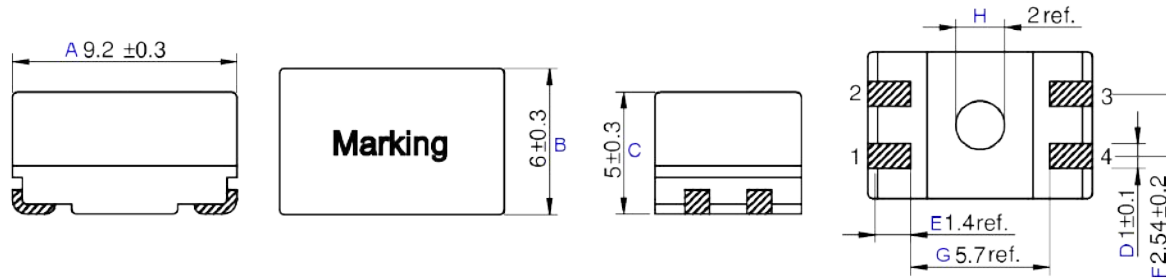
MAIN SPECIFICATION

EXPLANATION OF PART NUMBERS



Schematic:

PRODUCT DIMENSIONS (mm)



A	9.2±0.3
B	6.0±0.3
C	5.0±0.3
D	1.0±0.1
E	1.4Ref.
F	2.54±0.2
G	5.7Ref.
H	2.0Ref.

Recommend land pattern

ELECTRICAL CHARACTERISTICS

ITEM P/N	@25±5 °C Ambient Temperature				' & 5 @25 °C Max	Winding Style
	Inductance 10kHz/50mV / +	Leakage inductance 1/10 Q+ 7% 1000KHz,0.1V	Max Heat Rating ' & X U U H Q W \$ = , G F @25 °C Typ.			
SBCM0905-103P	10000±30%	320	0.35	25000	1.2	E L 2 O D U

© All test Data is referenced to 25 °C ambient.
 © 0D[+HDW 5DWLQJ ' & &XUUHQW ZRXOG FDxVH DQ DSSUR[LPDWH
 © Max Saturation DC Current would cause Lo to drop approximately 30%.
 © 7KH 3DUW WHPSHUDWXUH DPDLHQW 07 VKRXOG QRW H[FHHG
 operating conditions.
 © &LUFXLW GHVLJQ FRPSRQH QW SODFH PHQW 3: % WUDFH VL]H D
 other cooling provisions DOO H±HFV WKH SDUW WHPSHUDWXUH 3DUW WH
 YHUL¿HG LQ WKH HQG DSSOLFDFWLRQ

Version:1.0	CUSTOMER P/N		PRODUCT	60' , QGXFWRU
	ITEM P/N	6 % & 0 3	DATE	- DQ



ShenZhen Magnetic Cube Technology Co., LTD. TEL: 0755-23018051 E-FAX: 0755-22140304 E-MAIL: Sales@mct8.com HTTP: www.mct8.com

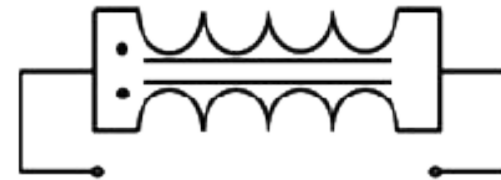


CHARACTERISTICS

Typical Impedance Characteristics:

Test Setup:

, PSHGDQFH



Common Mode



Differential Mode

) UHTXH QF \ 0 +]

— = FRPP - - - - = GL ‡

Version:1.0	CUSTOMER P/N		PRODUCT	6 0 ' , Q G X F W R U
	ITEM P/N	6 % & 0 3	DATE	- D Q



ShenZhen Magnetic Cube Technology Co., LTD. TEL: 0755-23018051 E-FAX: 0755-22140304 E-MAIL: Sales@mct8.com HTTP: www.mct8.com



CHARACTERISTICS

RECOMMENDED SOLDERING TEMP. GRAPH

A	B	C	D	E
260 ±	230 ±	8-10Sec	150 ±	60~240Sec

MECHANICAL RELIABILITY

TEST	6 S H F L ± F D W L R Q 5 H T X L U H P H Q W	0 H W K R G 8 V H G
Solderability	The surface of terminal/pin tested shall be covered with new solder by 95%	Solder heat proof.
		Preheating: 180 ± 10 ° 90 seconds
		Soldering: 255 ± 5 ° for 3 ± 1 sec
Shock	Inductance change within ± 5% Without mechanical damage	' U R S G R Z Q Z L W K P V shock
		Attitude upon a rubber block method shock testing machinem, 3 tests.
Vibration	Inductance change within ± 5% Without mechanical damage	Vibration frequency: 10Hz to 55Hz to 10Hz, 60 seconds cycle.
		Vibration time: 2 hours

ENDURANCE RELIABILITY

TEST	6 S H F L ± F D W L R Q 5 H T X L U H P H Q W	0 H W K R G 8 V H G
Thermal Shock	Inductance change within ± 5% Without mechanical damage	-25 ± PLQV ! URRP WHPS ± , PLQV ! PLQV ! URRP WHPS PLQV F\FOHV
Heat Resistance	Inductance change within ± 5% Without mechanical damage	Apply IDC current @ 85 ± ambient Duration: 1000 hrs
Humidity Resistance	Inductance change within ± 5% Without mechanical damage	Apply IDC current @ 60 ± ambient Humidity: 90~95% Duration: 1000 hrs
Low Temp. Storing	Inductance change within ± 5% Without mechanical damage	Storing Temp -25 ± 2 ° for total 1,000 +4/-0 hours
High Temp. Storing	Inductance change within ± 5% Without mechanical damage	Storing Temp 125 ± 2 ° for total 1,000 +4/-0 hours

Version: 1.0	CUSTOMER P/N	PRODUCT	6 0 ' , Q G X F W R U
	ITEM P/N	DATE	- D Q

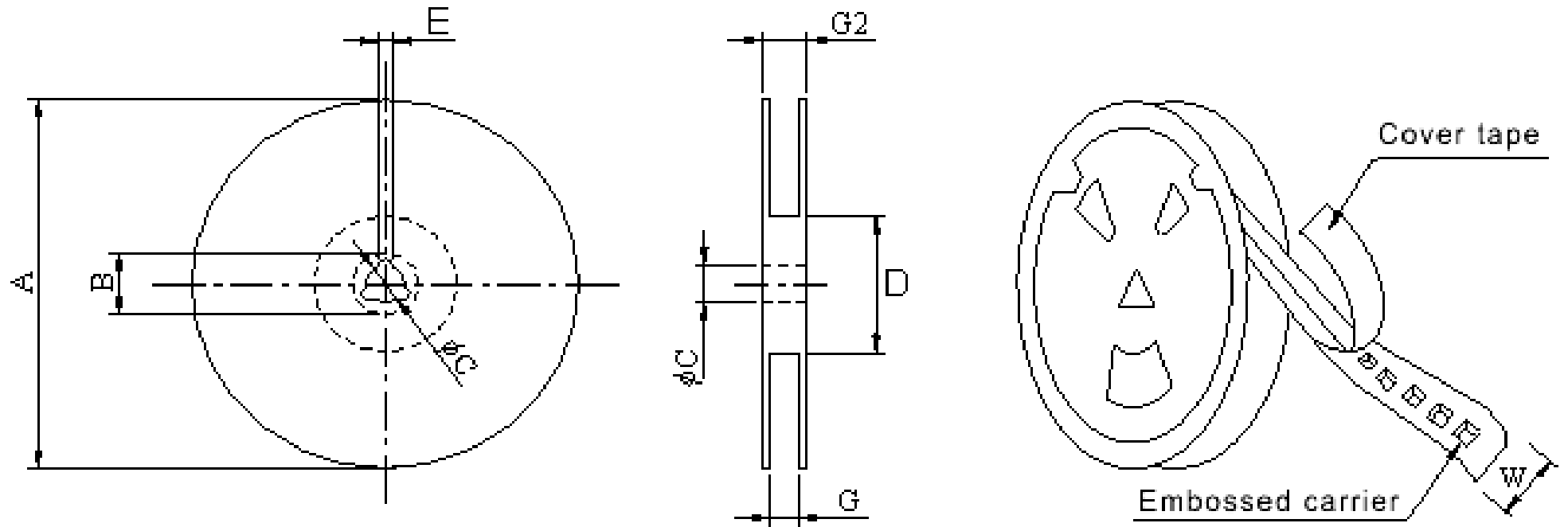


ShenZhen Magnetic Cube Technology Co., LTD. TEL: 0755-23018051 E-FAX: 0755-22140304 E-MAIL: Sales@mct8.com HTTP: www.mct8.com



PACKING INFORMATION

& \$55, (5 7\$3(, 1* 5((/ & \$55, (5 0\$7(5, \$/6 3\$3(5 3/\$67, &6 81,7 PP



TYPE	A	B	C	D	E	G	G2
330*16mm	330±1	20±0.8	13±0.5	100±1	2.0±0.5	16.5±0.5	20.5±0.5

Version:1.0	CUSTOMER P/N		PRODUCT	60', QGXFRU
	ITEM P/N	6% & 0 3	DATE	-DQ

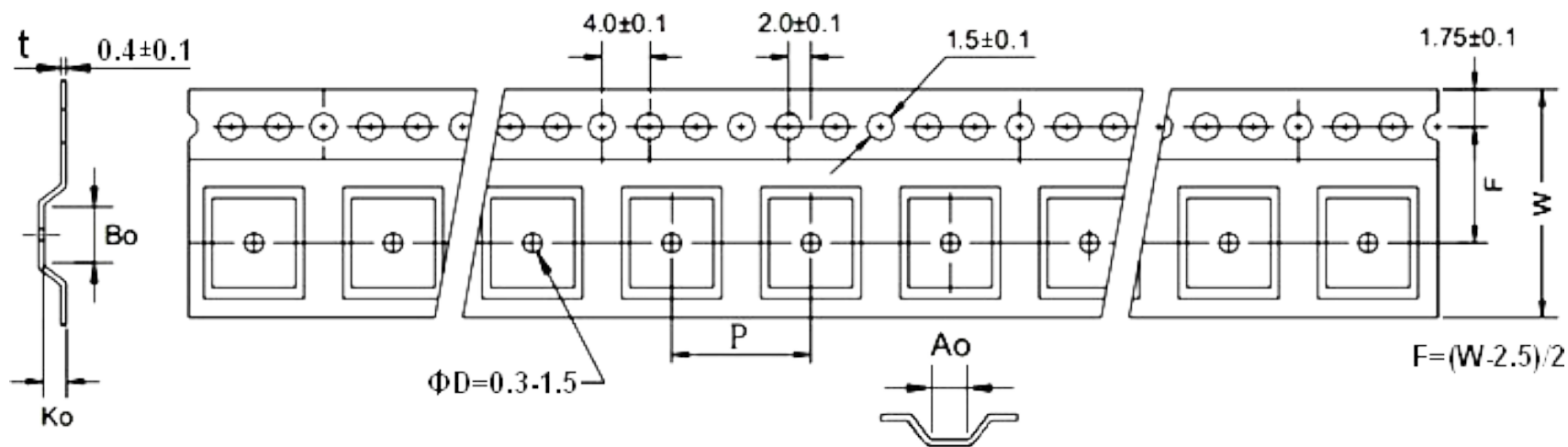


ShenZhen Magnetic Cube Technology Co., LTD. TEL: 0755-23018051 E-FAX: 0755-22140304 E-MAIL: Sales@mct8.com HTTP: www.mct8.com



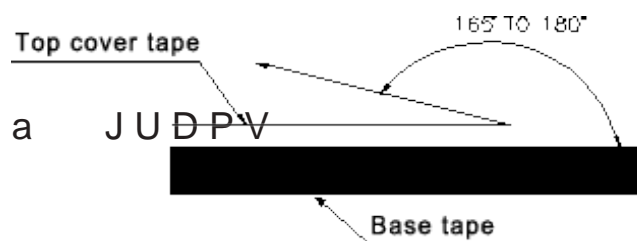
PACKING INFORMATION

& \$55, (5 7\$3(, 1* 5((/ & \$55, (5 0\$7(5, \$/6 3\$3(5 3/\$67, & 6 81, 7 P P



QTY (Pcs/Reel)	\$ R	% R	. R	W	P
1000	6.5	9.7	5.7	16	12

7\SLFDO 3XOOLQJ)RUFH



Version:1.0	CUSTOMER P/N			PRODUCT	60', QGXFWRU
	ITEM P/N	6% & 0	3	DATE	-DQ



ShenZhen Magnetic Cube Technology Co., LTD. TEL: 0755-23018051 E-FAX: 0755-22140304 E-MAIL: Sales@mct8.com HTTP: www.mct8.com

