



磁立方

SPECIFICATION FOR APPROVAL

CUSTOMER : _____

CUSTOMER P/N : _____

DESCRIPTION : SMD Inductor

Supplier P/N : TSB0630-R56M

REVISION NO. : V1.0

DATE : 2021-Jan-14

NOTES : STANDARD

| Supplier DOCUMENTED | |
|---------------------|----------|
| APPROVED | David |
| CHECKED | Zhao yun |
| PREPARED | You yuan |

| CUSTOMER APPROVAL | |
|-------------------|--|
| | |

© Company seals

| | | | |
|-------------|--------------|---------|--------------|
| Version:1.0 | CUSTOMER P/N | PRODUCT | SMD Inductor |
| | ITEM P/N | DATE | 2021-Jan-14 |
| | TSB0630-R56M | | |



深圳市磁立方科技有限公司
ShenZhen Magnetic Cube Technology Co., LTD.

TEL:0755-23018051 E-FAX:0755-22140304 E-MAIL:Sales@mct8.com HTTP:www.mct8.com
ADD:F2, Building C, Furong Road No.8 , Tantou, Songgang, Baoan District, Shenzhen



MAIN SPECIFICATION

EXPLANATION OF PART NUMBERS



PRODUCT DIMENSIONS (mm)




| | |
|---|---------|
| A | 6.6±0.2 |
| B | 6.4±0.2 |
| C | 3.1Max |
| D | 5.3Ref |
| E | 1.4±0.3 |
| F | 2.6±0.3 |
| G | 2.5Ref |
| H | 5.6Ref |
| L | 5.6Ref |

ELECTRICAL CHARACTERISTICS

| ITEM P/N | @25 ± 5 °C Ambient Temperature | | | DCR mΩ @ 25°C Typica | DCR mΩ @ 25°C Max |
|--------------|--------------------------------|---|---|----------------------------|-------------------------|
| | INDUCTANCE 100KHz, 0.1V | Typical Heat Rating DC Current (A) (I _{dc}) | Typical Saturation DC Current (A) (I _{sat}) | | |
| | Lo (μH) | | | | |
| TSB0630-R56M | 0.56±20% | 22.0 | 29.0 | 2.88 | 3.31 |

- ⊙ All test Data is referenced to 25°C ambient.
- ⊙ I_{rms}: DC current(A) that will cause an approximate Δ T of 40°C .
- ⊙ I_{sat}: DC current(A) that will cause Lo to drop approximate 30%.
- ⊙ Operating temperature range is -25°C to 125°C .
- ⊙ The part temperature(ambient and temp rise) should not exceed 125°C under worse case operating conditions. Circuit design, component placement, PWB trace size and thickness, airflow and other cooling provision all affect the part temperature. Part temperature should be verified in the end application.

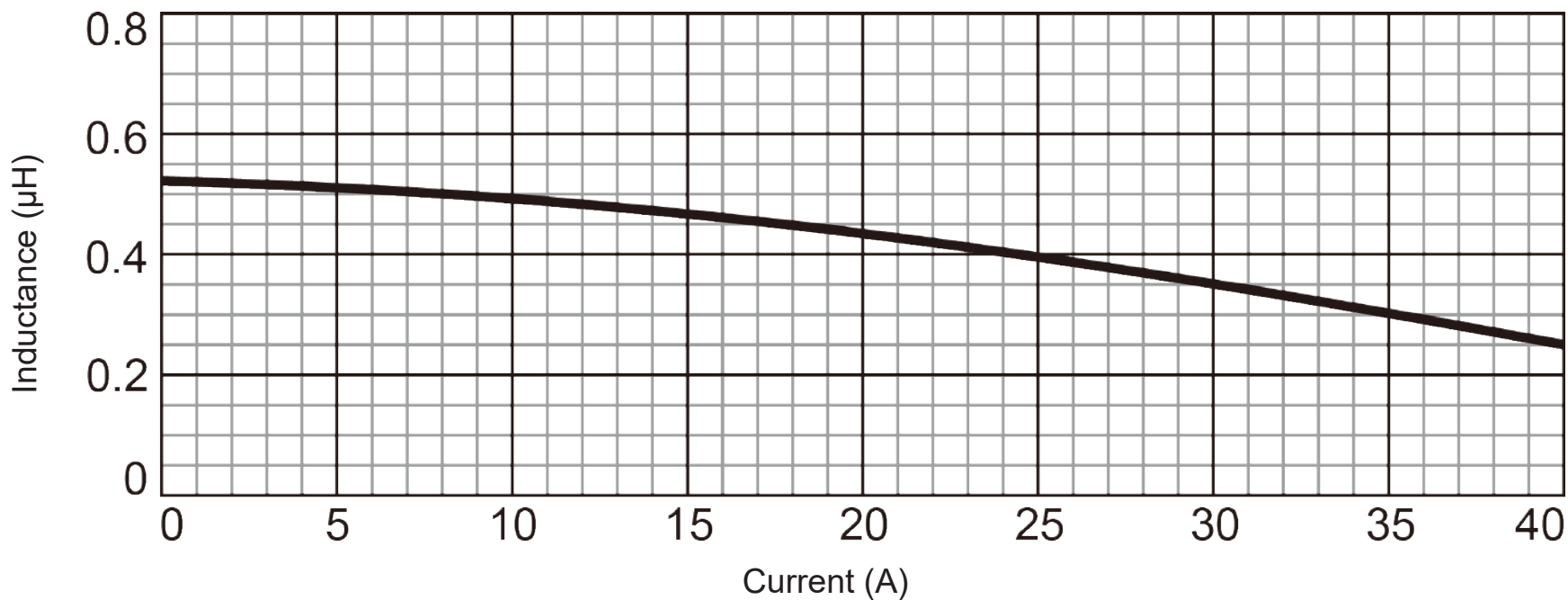
| | | | | |
|-------------|--------------|--------------|---------|--------------|
| Version:1.0 | CUSTOMER P/N | | PRODUCT | SMD Inductor |
| | ITEM P/N | TSB0630-R56M | DATE | 2021-Jan-14 |

 深圳市磁立方科技有限公司 TEL:0755-23018051 E-FAX:0755-22140304 E-MAIL:Sales@mct8.com HTTP:www.mct8.com
ShenZhen Magnetic Cube Technology Co., LTD. ADD:F2, Building C, Furong Road No.8 , Tantou, Songgang, Baoan District, Shenzhen



CHARACTERISTICS

Typical L vs Current:



| | | | | |
|-------------|--------------|--------------|---------|--------------|
| Version:1.0 | CUSTOMER P/N | | PRODUCT | SMD Inductor |
| | ITEM P/N | TSB0630-R56M | DATE | 2021-Jan-14 |



深圳市磁立方科技有限公司
ShenZhen Magnetic Cube Technology Co., LTD.

TEL:0755-23018051 E-FAX:0755-22140304 E-MAIL:Sales@mct8.com HTTP:www.mct8.com
ADD:F2, Building C, Furong Road No.8 , Tantou, Songgang, Baoan District, Shenzhen



CHARACTERISTICS

RECOMMENDED SOLDERING TEMP. GRAPH



| A | B | C | D | E |
|-------|-------|---------|-------|-----------|
| 260°C | 230°C | 8-10Sec | 150°C | 60~240Sec |

MECHANICAL RELIABILITY

| TEST | Specification & Requirement | Method Used |
|---------------|--|--|
| Solderability | The surface of terminal/pin tested shall be covered with new solder by 95% | Solder heat proof. |
| | | Preheating: 180 ±10°C 90 seconds |
| | | Soldering: 255 ±5°C for 3 ±1 sec |
| Shock | Inductance change within ± 5% Without mechanical damage | Drop down with 981m/s ² (100G) shock |
| | | Attitude upon a rubber block method shock testing machinem, 3 tests. |
| Vibration | Inductance change within ± 5% Without mechanical damage | Vibration frequency: 10Hz to 55Hz to 10Hz, 60 seconds cycle. |
| | | Vibration time: 2 hours |

ENDURANCE RELIABILITY

| TEST | Specification & Requirement | Method Used |
|---------------------|---|---|
| Thermal Shock | Inductance change within ± 5% Without mechanical damage | -25°C ,(30 mins) -> room temp. (5 mins) ->125°C , (30 mins) -> room temp. (5 mins) 100 cycles |
| Heat Resistance | Inductance change within ± 5% Without mechanical damage | Apply IDC current @ 85°C ambient Duration: 1000 hrs |
| Humidity Resistance | Inductance change within ± 5% Without mechanical damage | Apply IDC current @ 60°C ambient Humidity: 90~95% Duration: 1000 hrs |
| Low Temp. Storing | Inductance change within ± 5% Without mechanical damage | Storing Temp -25 ±2 °C for total 1,000 +4/-0 hours |
| High Temp. Storing | Inductance change within ± 5% Without mechanical damage | Storing Temp 125±2 °C for total 1,000 +4/-0 hours |

| | | | | |
|-------------|--------------|--------------|---------|--------------|
| Version:1.0 | CUSTOMER P/N | | PRODUCT | SMD Inductor |
| | ITEM P/N | TSB0630-R56M | DATE | 2021-Jan-14 |



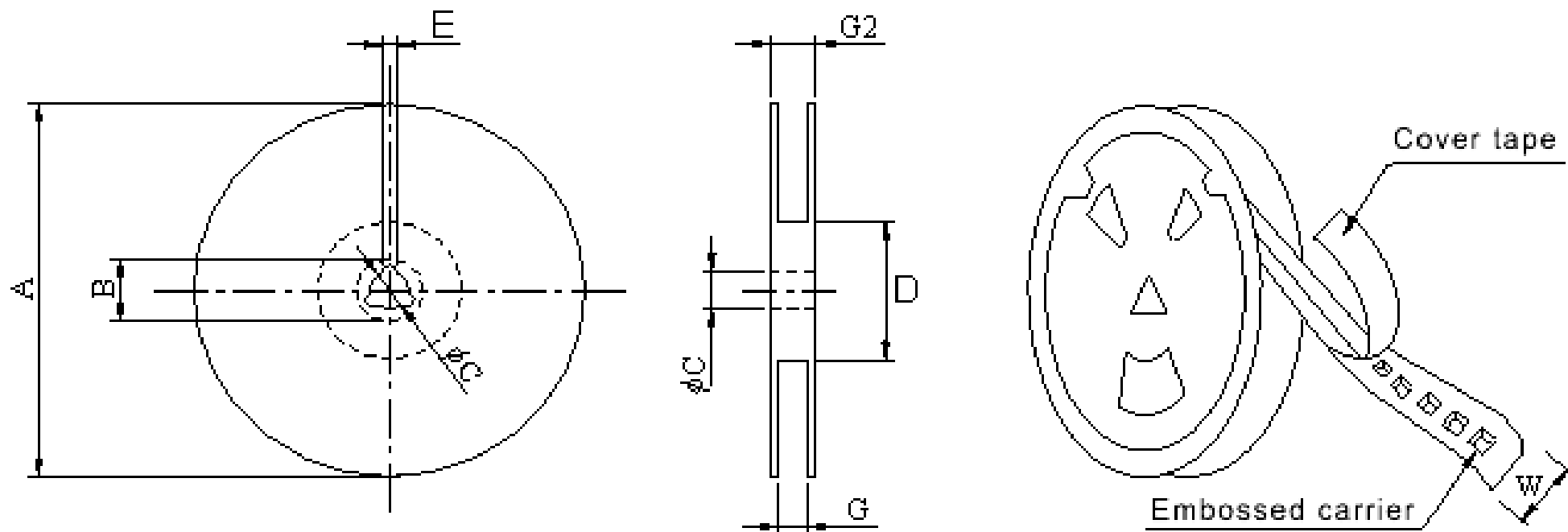
深圳市磁立方科技有限公司
ShenZhen Magnetic Cube Technology Co., LTD.

TEL:0755-23018051 E-FAX:0755-22140304 E-MAIL:Sales@mct8.com HTTP:www.mct8.com
ADD:F2, Building C, Furong Road No.8 , Tantou, Songgang, Baoan District, Shenzhen



PACKING INFORMATION

CARRIER TAPEING REEL & CARRIER MATERIALS (PAPER PLASTICS) UNIT : (mm)



| TYPE | A | B | C | D | E | G | G2 |
|----------|-------|--------|--------|-------|---------|----------|----------|
| 330*16mm | 330±1 | 20±0.8 | 13±0.5 | 100±1 | 2.0±0.5 | 16.5±0.5 | 20.5±0.5 |

| | | | | |
|-------------|--------------|--------------|---------|--------------|
| Version:1.0 | CUSTOMER P/N | | PRODUCT | SMD Inductor |
| | ITEM P/N | TSB0630-R56M | DATE | 2021-Jan-14 |



深圳市磁立方科技有限公司
ShenZhen Magnetic Cube Technology Co., LTD.

TEL:0755-23018051 E-FAX:0755-22140304 E-MAIL:Sales@mct8.com HTTP:www.mct8.com
ADD:F2, Building C, Furong Road No.8 , Tantou, Songgang, Baoan District, Shenzhen



PACKING INFORMATION

CARRIER TAPEING REEL & CARRIER MATERIALS (PAPER PLASTICS) UNIT : (mm)



| QTY (Pcs/Reel) | Ao | Bo | Ko | W | P |
|----------------|-----|-----|-----|----|----|
| 1000 | 7.0 | 6.8 | 3.3 | 16 | 12 |

Typical Pulling Force: 10~130grams:



| Version:1.0 | CUSTOMER P/N | PRODUCT | SMD Inductor |
|-------------|--------------|---------------------------|--------------|
| | ITEM P/N | DATE <td>2021-Jan-14</td> | 2021-Jan-14 |



深圳市磁立方科技有限公司
ShenZhen Magnetic Cube Technology Co., LTD.

TEL:0755-23018051 E-FAX:0755-22140304 E-MAIL:Sales@mct8.com HTTP:www.mct8.com
ADD:F2, Building C, Furong Road No.8, Tantou, Songgang, Baoan District, Shenzhen

